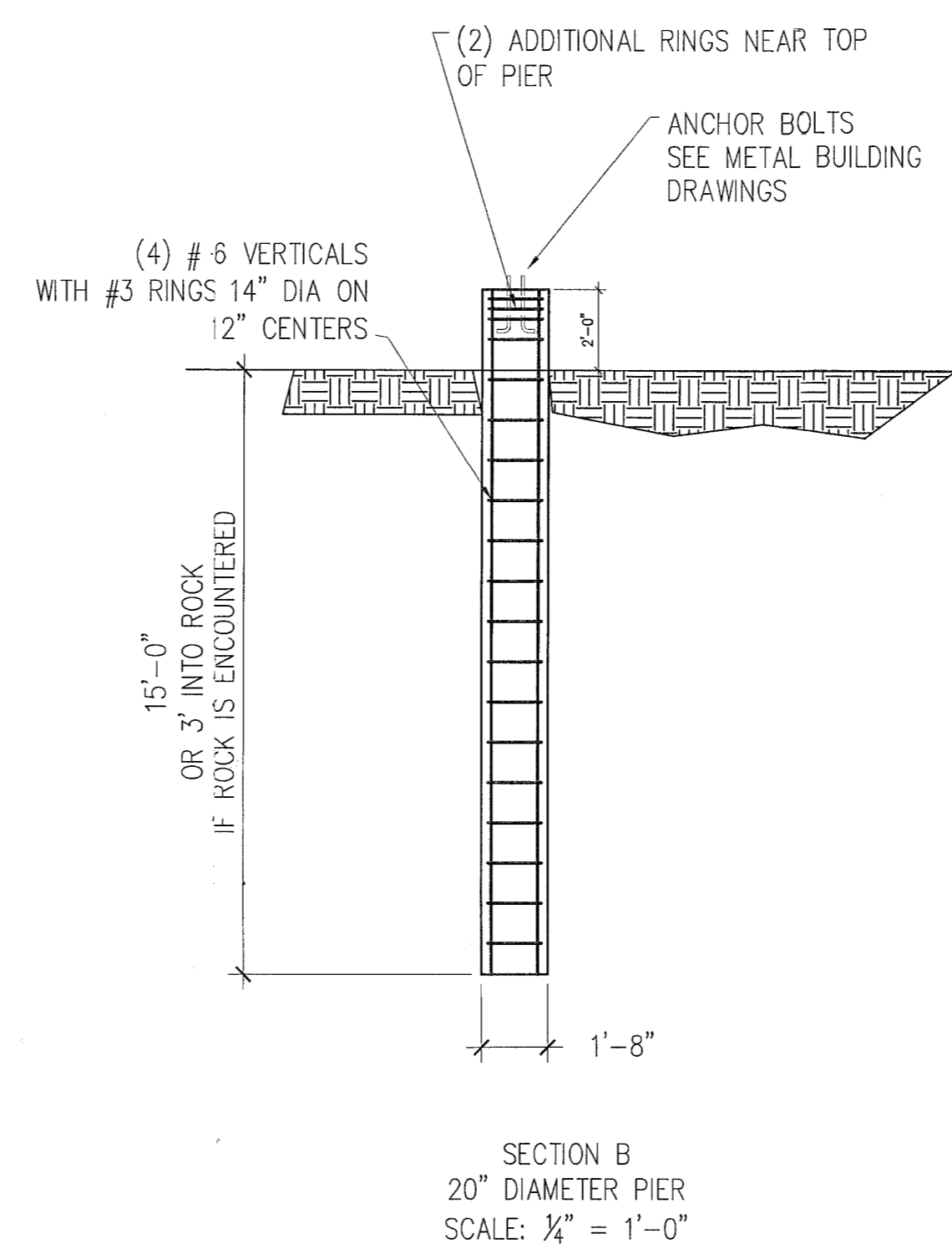
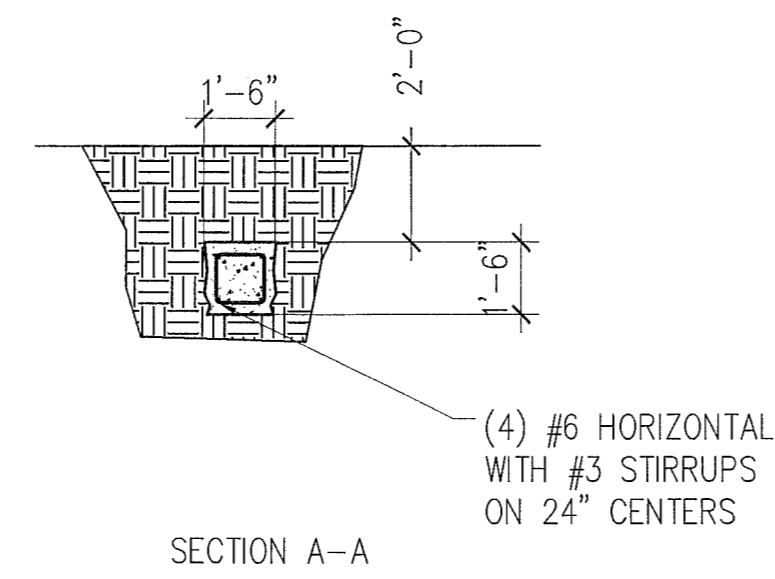
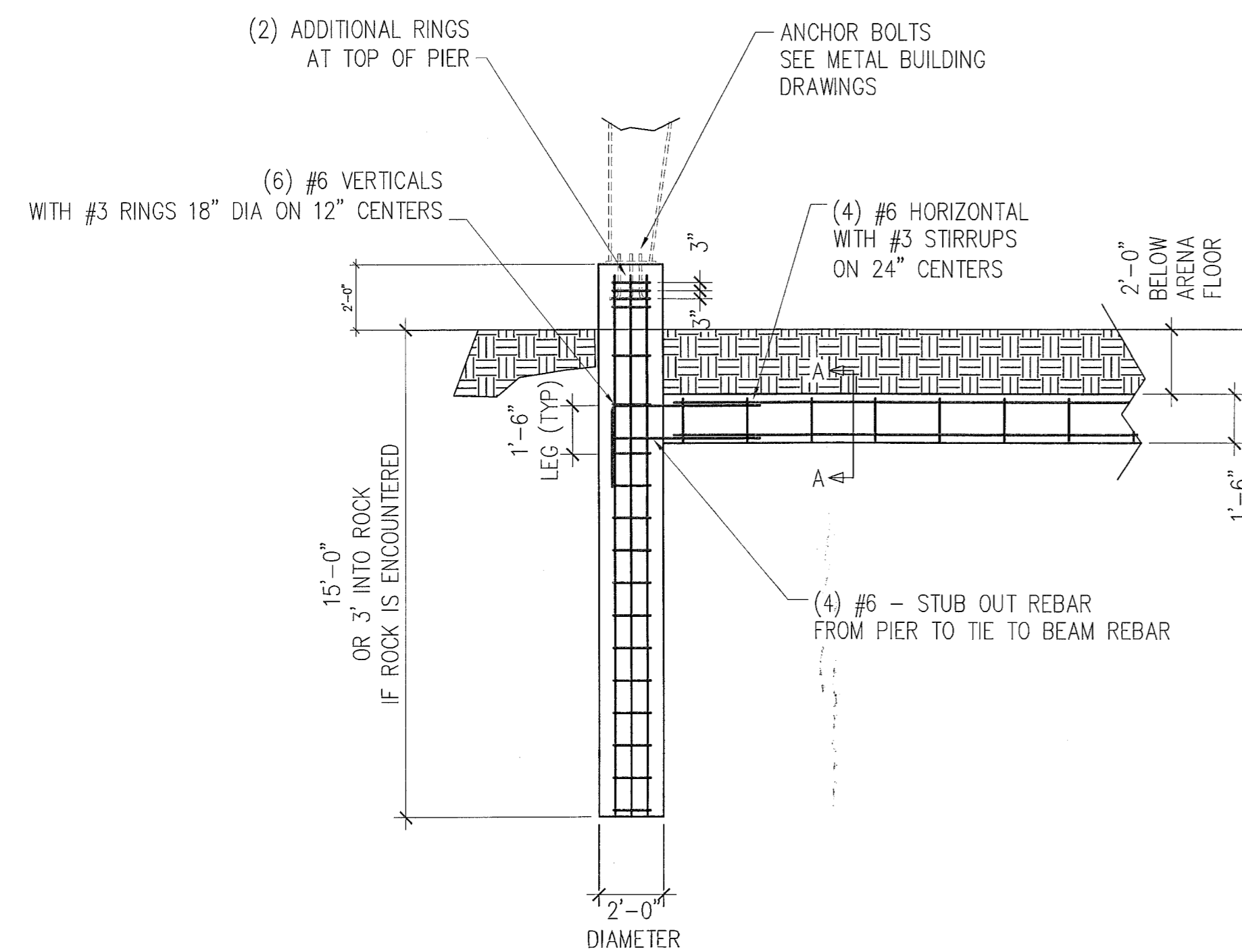


ANCHOR BOLT SCHEDULE:
 COLUMN BASE TYPE A 3/4" X 12"
 COLUMN BASE TYPE B 3/4" X 12"
 COLUMN BASE TYPE C 3/4" X 12"
 COLUMN BASE TYPE D 1 1/4" X 24"



- NOTES:
1. REBAR IS GRADE 60-LAP SPLICES 40 DIAMETERS.
 2. READY MIX IS 3500 PSI-28 DAY BREAK.
 3. PIERS MUST BE POURED SAME DAY AS DRILLED.
 4. IF SUBSURFACE WATER IS ENCOUNTERED USE TEMPORARY CASING TO CONTROL.
 5. ERECTION OF BUILDING IS NOT TO BE STARTED UNTIL CONCRETE HAS CURED A MINIMUM OF 7 DAYS.
 6. SET ALL ANCHOR BOLTS PER METAL BUILDING DRAWINGS. PROTECT THREADS DURING POUR WITH DUCT TAPE.
 7. PIER TIE CONCRETE BEAMS MAY BE FORMED USING EARTH FORMS.

CONTRACTOR:

PROJECT INFO:

150' X 300' ARENA
FELIX PENA

OWNER/OPERATOR

FELIX PENA
BUCKHOLTS TEXAS

ENGINEER:

RUSSELL HUNN P.E.
403 FALL CREEK DRIVE
RICHARDSON, TEXAS 75080
CONTACT: RUSSELL HUNN
972.238.0547



PROJECT NAME

150' X 300' ARENA

PROJECT NO.:

032905

ISSUE DATE:

04.12.05

REVISIONS:

01 04.12.05

DESCRIPTION:

DETAILS & NOTES

SHEET NO.:

S2